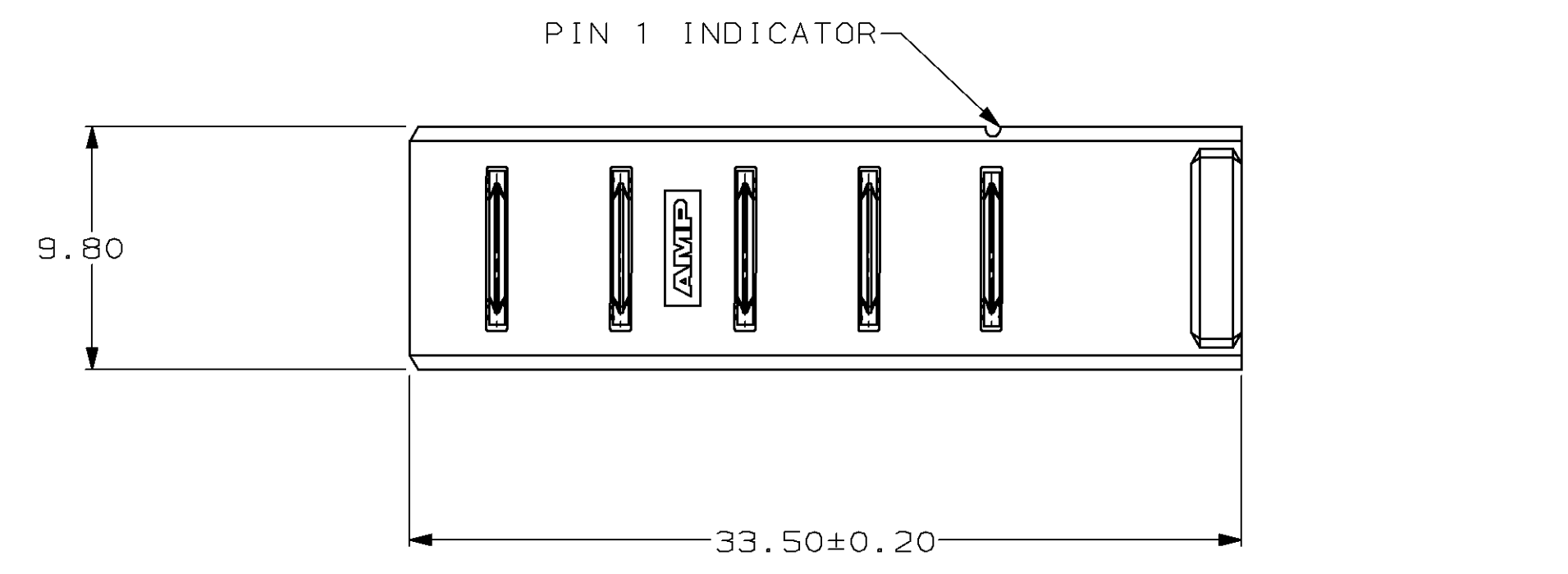
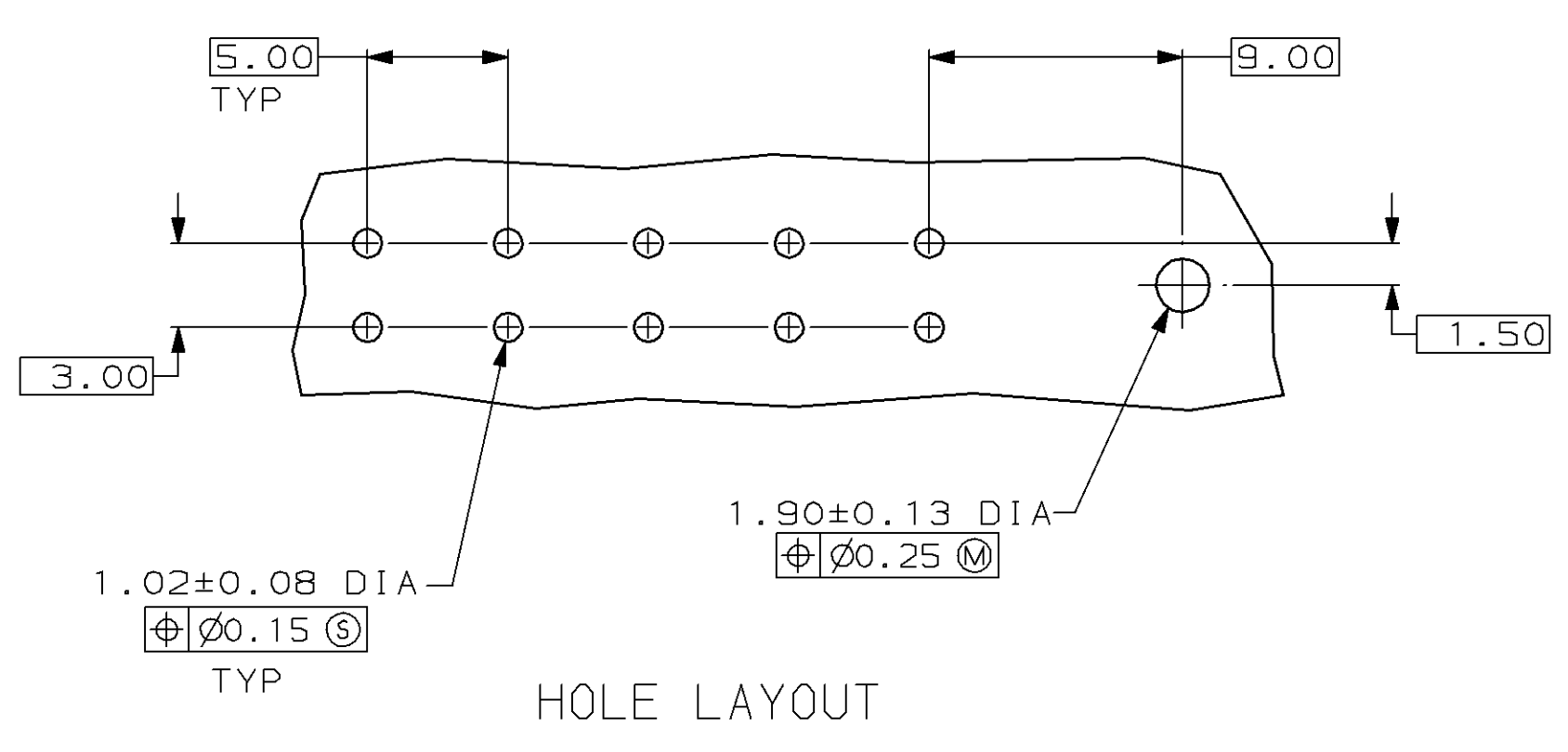
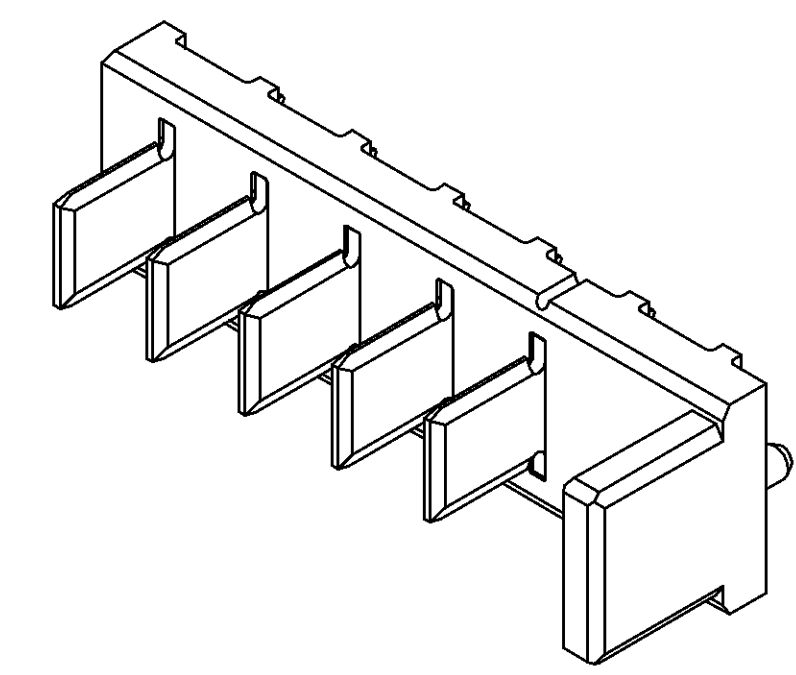
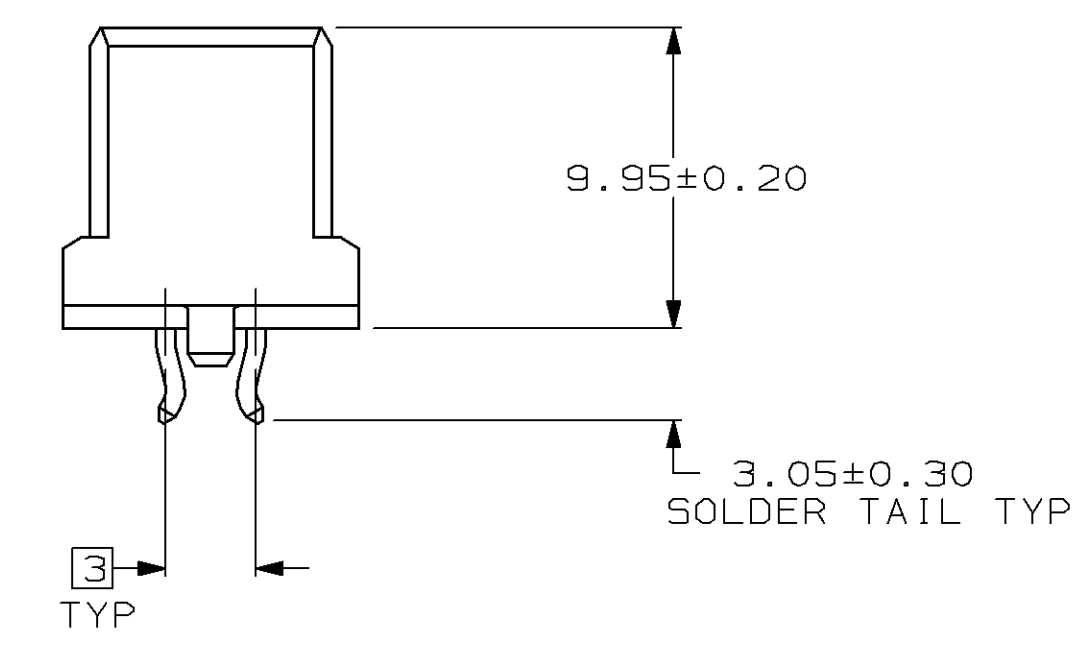
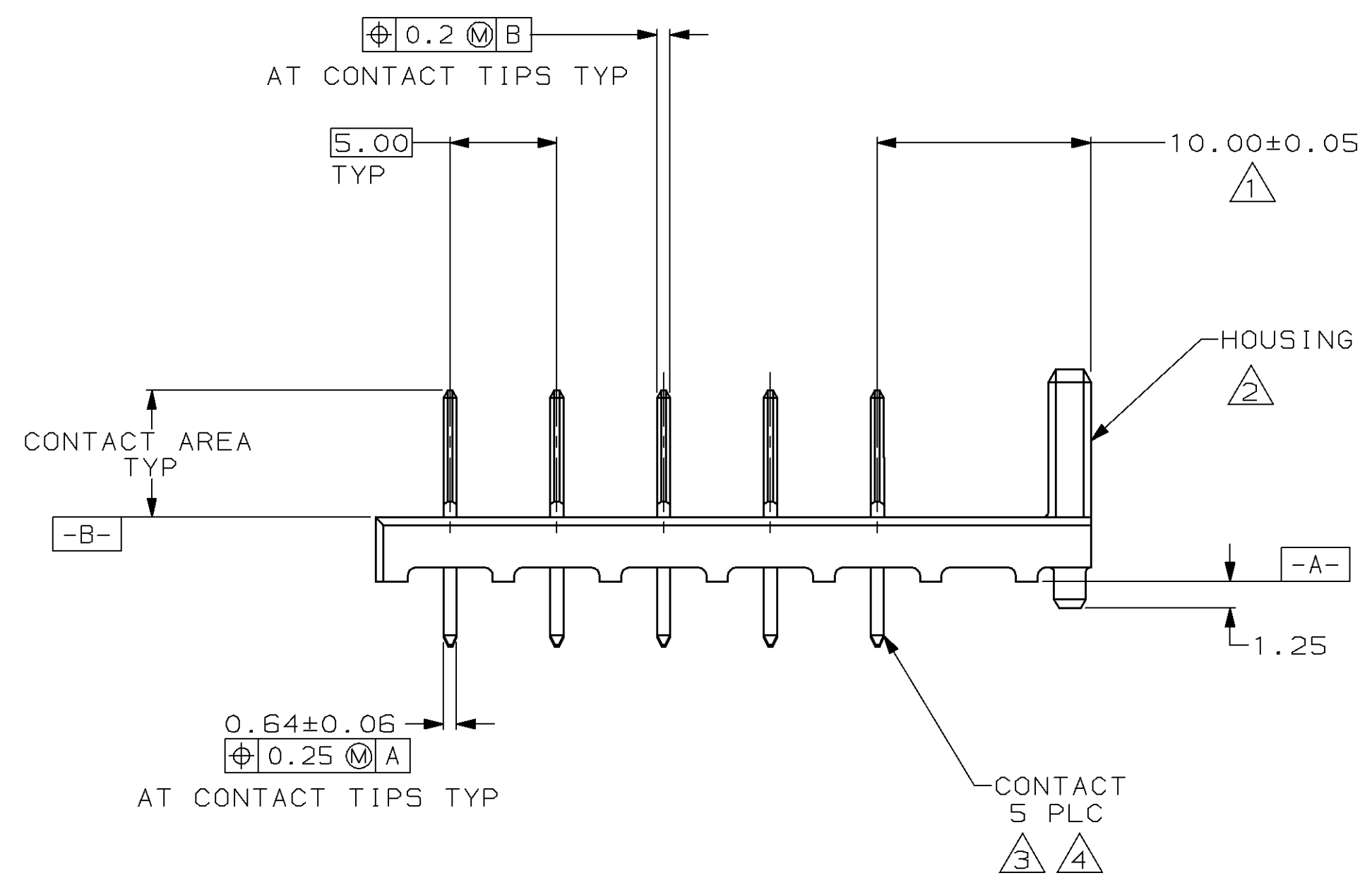


| LOC | DIST | REVISIONS | | | |
|-----|------|---------------------------------------|-----------|-----|------|
| P | LTR | DESCRIPTION | DATE | DMN | APVD |
| 0 | | RLSE -1 PER NPR 5303 WAS 94-2197-06-1 | 03/16/95 | SK | SK |
| A | | REV PER EC 0020-965-95 | 14 SEP 95 | DG | RSK |
| B | | REV PER EC 0020-0657-96 | 12/06/96 | JR | RK |
| C | | REV PER EC 0410-0218-96 | 12/06/96 | JR | RS |



- ① COORDINATE DIMENSION APPLIES FROM CENTER OF ACTUAL FEATURE.
- ② HOUSING: POLYPHTHALAMIDE, COLOR BLACK.
- ③ 2.54μm MIN TIN-LEAD ON SOLDER TAIL OVER 1.90μm MIN NICKEL ALL OVER.
- ④ CONTACTS: BRASS



787421-1
PART NO

| | | | |
|--|---|--|--|
| <small>THIS DRAWING IS A CONTROLLED DOCUMENT FOR AMP INCORPORATED. IT IS SUBJECT TO CHANGE AND THE CONTROLLING ENGINEERING DEPARTMENT SHOULD BE CONTACTED FOR THE LATEST REVISION.</small> | | DMN S.KLINE 03/16/95 CHK S.KLINE 03-17-95 APVD S.KLINE 03-17-95 | AMP AMP Incorporated Harrisburg, PA 17105-3508 |
| DIMENSIONS: mm | TOLERANCES UNLESS OTHERWISE SPECIFIED: 0 PLC ± 1 PLC ± 2 PLC ±0.13 3 PLC ± 4 PLC ± ANGLES ± | NAME: HEADER ASSEMBLY, VERTICAL, 5mm C, 5 POSN, SINGLE KEY, 10.8V, RETENTIVE SOLDER TAILS, BATTERY INTERCONNECT PRODUCT SPEC: 108-1501 APPLICATION SPEC: 114-24005 | SIZE: A1 CAGE CODE: 00779 DRAWING NO: 787421 |
| MATERIAL: SEE CALLOUTS | FINISH: SEE CALLOUTS | WEIGHT: - | SCALE: 4:1 |
| CUSTOMER DRAWING | | SHEET 1 OF 1 | REV C |